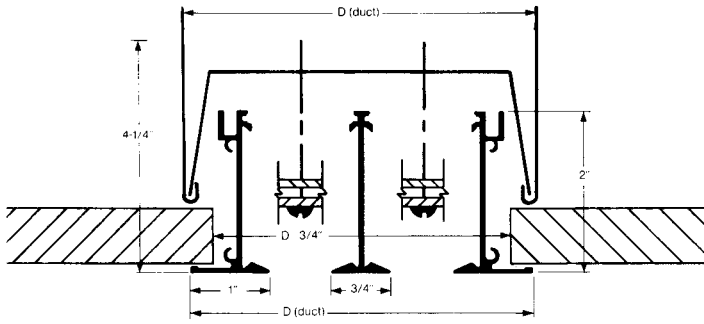


ASD Air Slot Diffuser Product Detail



TYPE I – Concealed mounting with flange frame

For 1/2" slot, center T extrusion changes to 1" – outer flange changes to 1-1/8."

1/2" model available only with aluminum adjustable pattern device.

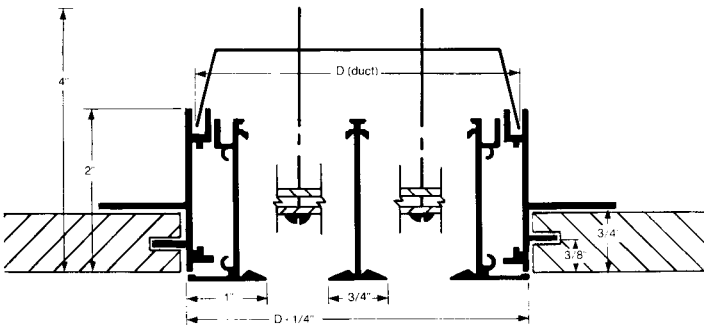
6063 Alloy Extruded Aluminum Construction

- 1/2" Slot 3/4" Slot 1" Slot

Number of Slots	1	2	3	4	5	6	7	8	9	10
"D" Dimension 1/2"-3/4"	2-3/4	4-1/4	5-3/4	7-1/4	8-3/4	10-1/4	11-3/4	13-1/4	14-3/4	16-1/4
"D" Dimension 1"	3	4-3/4	6-1/2	8-1/4	10	11-3/4	13-1/2	15-1/4	17	18-3/4

The suffix "-wide" will add 1/8" to the flange width and 1/4" to the overall dimension.

Performance data on pages 30-35



TYPE II – Plaster or tile mount with flange frame.

For 1/2" slot, center T extrusion changes to 1" – outer flange changes to 1-1/8."

1/2" model available only with aluminum adjustable pattern device.

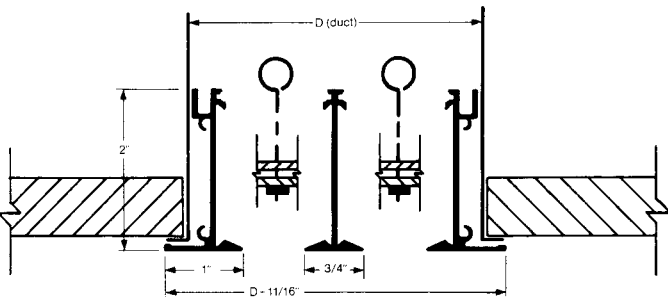
6063 Alloy Extruded Aluminum Construction

- 1/2" Slot 3/4" Slot 1" Slot

Number of Slots	1	2	3	4	5	6	7	8	9	10
"D" Dimension 1/2"-3/4"	2-1/2	4	5-1/2	7	8-1/2	10	11-1/2	13	14-1/2	16
"D" Dimension 1"	2-3/4	4-1/2	6-1/4	8	9-3/4	11-1/2	13-1/4	15	16-3/4	18-1/2

The suffix "-wide" will add 1/8" to the flange width and 1/4" to the overall dimension.

Performance data on pages 30-35



Type III – Eye bolt suspension with flange frame.

For 1/2" slot, center T extrusion changes to 1" – outer flange changes to 1-1/8."

1/2" model available only with aluminum adjustable pattern device.

6063 Alloy Extruded Aluminum Construction

- 1/2" Slot 3/4" Slot 1" Slot

Number of Slots	1	2	3	4	5	6	7	8	9	10
"D" Dimension 1/2"-3/4"	2-1/16	3-9/16	5-1/16	6-9/16	8-1/16	9-9/16	11-1/16	12-9/16	14-1/16	15-9/16
"D" Dimension 1"	2-5/16	4-1/16	5-13/16	7-9/16	9-5/16	11-1/16	12-13/16	14-9/16	16-5/16	18-1/16

The suffix "-wide" will add 1/8" to the flange width and 1/4" to the overall dimension.

Performance data on pages 30-35