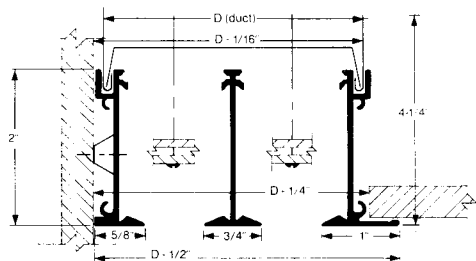


ASD Air Slot Diffuser Product Detail



Type VII – Perimeter wall or one-sided T-bar mount.

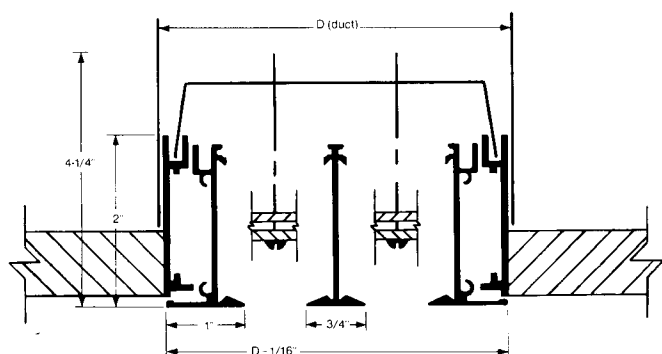


6063 Alloy Extruded Aluminum Construction
 3/4" Slot 1" Slot
 (1/2" Slot not available)

Number of Slots	1	2	3	4	5	6	7	8	9	10
"D" Dimension 3/4"	1-7/8	3-3/8	4-7/8	6-3/8	7-7/8	9-3/8	10-7/8	12-3/8	13-7/8	15-3/8
"D" Dimension 1"	2-1/8	3-7/8	5-5/8	7-3/8	9-1/8	10-7/8	12-5/8	14-3/8	16-1/8	17-7/8

The suffix "-wide" will add 1/8" to the flange width and 1/4" to the overall dimension.

Performance data on pages 30-35



Type VIII – Non-hemmed duct with adapter frame to overlap ceiling.

For 1/2" slot, center T extrusion changes to 1" – outer flange changes to 1-1/8"

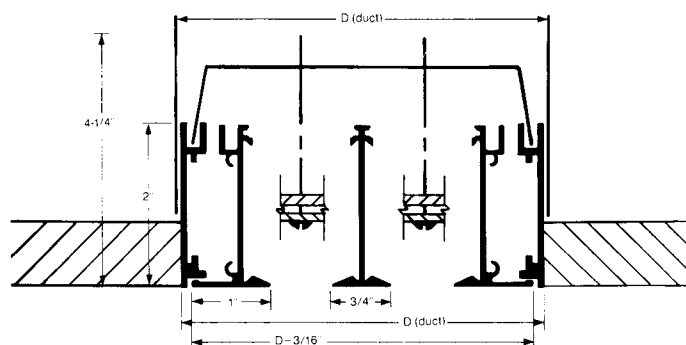
1/2" model available only with aluminum adjustable pattern device.

6063 Alloy Extruded Aluminum Construction
 1/2" Slot 3/4" Slot 1" Slot

Number of Slots	1	2	3	4	5	6	7	8	9	10
"D" Dimension 1/2"-3/4"	2-13/16	4-5/16	5-13/16	7-5/16	8-13/16	10-5/16	11-13/16	13-5/16	14-13/16	16-5/16
"D" Dimension 1"	3-1/16	4-13/16	6-9/16	8-5/16	10-1/16	11-13/16	13-9/16	15-5/16	17-1/16	18-13/16

The suffix "-wide" will add 1/8" to the flange width and 1/4" to the overall dimension.

Performance data on pages 30-35



Type IX – Non-hemmed duct with adapter to mount flush with ceiling.

For 1/2" slot, center T extrusion changes to 1" – outer flange changes to 1-1/8"

1/2" model available only with aluminum adjustable pattern device.

6063 Alloy Extruded Aluminum Construction
 1/2" Slot 3/4" Slot 1" Slot

Number of Slots	1	2	3	4	5	6	7	8	9	10
"D" Dimension 1/2"-3/4"	2-15/16	4-7/16	5-15/16	7-7/16	8-15/16	10-7/16	11-15/16	13-7/16	14-15/16	16-7/16
"D" Dimension 1"	3-3/16	4-15/16	6-11/16	8-7/16	10-3/16	11-15/16	13-11/16	15-7/16	17-3/16	18-15/16

The suffix "-wide" will add 1/8" to the flange width and 1/4" to the overall dimension.

Performance data on pages 30-35