

### Type X – Concealed mounting with short hanger strap.

For 1/2" slot, center T extrusion changes to 1" – outer flange changes to 1-1/8"

1/2" model available only with aluminum adjustable pattern device.

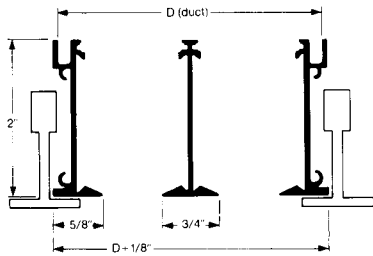
### 6063 Alloy Extruded Aluminum Construction

1/2" Slot     3/4" Slot     1" Slot

Number of Slots	1	2	3	4	5	6	7	8	9	10
"D" Dimension 1/2"-3/4"	1-7/8	3-3/8	4-7/8	6-3/8	7-7/8	9-3/8	10-7/8	12-3/8	13-7/8	15-3/8
"D" Dimension 1"	2-1/8	3-7/8	5-5/8	7-3/8	9-1/8	10-7/8	12-5/8	14-3/8	16-1/8	17-7/8

The suffix "-wide" will add 1/8" to the flange width and 1/4" to the overall dimension.

Performance data on pages 30-35



### Type XI – Thin frame T-bar mount.

### 6063 Alloy Extruded Aluminum Construction

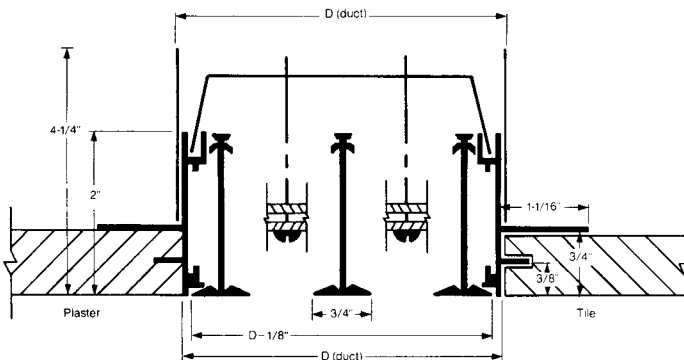
3/4" Slot     1" Slot

(1/2" Slot not available)

Number of Slots	1	2	3	4	5	6	7	8	9	10
"D" Dimension 3/4"	1-7/8	3-3/8	4-7/8	6-3/8	7-7/8	9-3/8	10-7/8	12-3/8	13-7/8	15-3/8
"D" Dimension 1"	2-1/8	3-7/8	5-5/8	7-3/8	9-1/8	10-7/8	12-5/8	14-3/8	16-1/8	17-7/8

The suffix "-wide" will add 1/8" to the flange width and 1/4" to the overall dimension.

Performance data on pages 30-35



### Type XII – Plaster or tile mount with narrow outer frame.

### 6063 Alloy Extruded Aluminum Construction

3/4" Slot     1" Slot

(1/2" Slot not available)

Number of Slots	1	2	3	4	5	6	7	8	9	10
"D" Dimension 3/4"	2-3/8	3-7/8	5-3/8	6-7/8	8-3/8	9-7/8	11-3/8	12-7/8	14-3/8	15-7/8
"D" Dimension	2-5/8	4-3/8	6-1/8	7-7/8	9-5/8	11-3/8	13-1/8	14-7/8	16-5/8	18-3/8

The suffix "-wide" will add 1/8" to the flange width and 1/4" to the overall dimension.

Performance data on pages 30-35