

## Type XVI – Flush mount for tile or plaster

For 1/2" slot, center T extrusion changes to 1" – outer flange changes to 1 1/8"

1/2" model available only with aluminum adjustable pattern device.

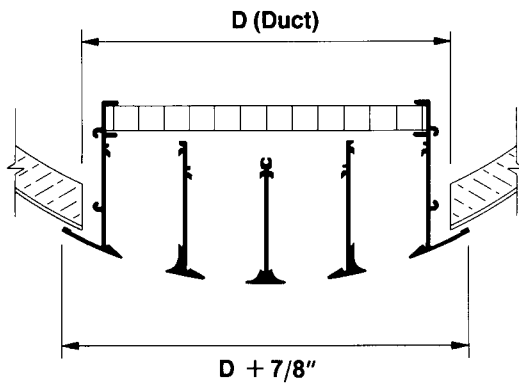
### 6063 Alloy Extruded Aluminum Construction

- 1/2" Slot       3/4" Slot       1" Slot

Number of Slots	1	2	3	4	5	6	7	8	9	10
"D" Dimension 1/2"-3/4"	2 13/16	4 5/16	5 13/16	7 5/16	8 13/16	10 5/16	11 13/16	13 5/16	14 13/16	16 5/16
"D" Dimension 1"	3 1/16	4 13/16	6 9/16	8 5/16	10 1/16	11 13/16	13 9/16	15 5/16	17 1/16	18 13/16

The suffix "-wide" will add 1/8" to the flange width and 1/4" to the overall dimension.

Performance data on pages 30-35



## Type XVII – Flush mount for spiral duct

Available in any configuration desired. Adjustable pattern control device allows for full control of the air pattern including fully dampered. Mounting either by concealed hanger bracket or screw holes in the face. Standard finish is white or prime. Special finishes available upon request. Aluminum grid for air equalization is standard.

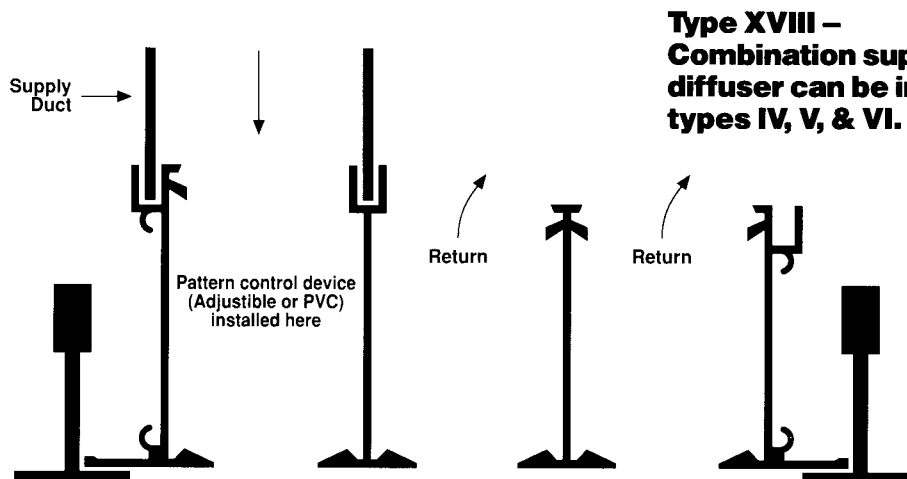
### 6063 Alloy Extruded Aluminum Construction

- 3/4" Slot       1" Slot

Number of Slots	1	2	3	4	5	6	7	8	9	10
"D" Dimension 1/2"-3/4"	2 1/16	3 9/16	5 1/16	6 9/16	8 1/16	9 9/16	11 1/16	12 9/16	14 1/16	15 9/16
"D" Dimension 1"	2 5/16	4 1/16	5 13/16	7 9/16	9 5/16	11 1/16	12 13/16	14 9/16	16 5/16	18 1/16

In a low to medium velocity environment, this product performs like the standard slot diffuser with a plenum attached.

Performance data on pages 30-35



## Type XVIII – Combination supply and return slot diffuser can be installed as in types IV, V, & VI.

Available in 3/4" and 1" with any quality combination of supply and return slots. Dimension details will follow the above mentioned installation methods.