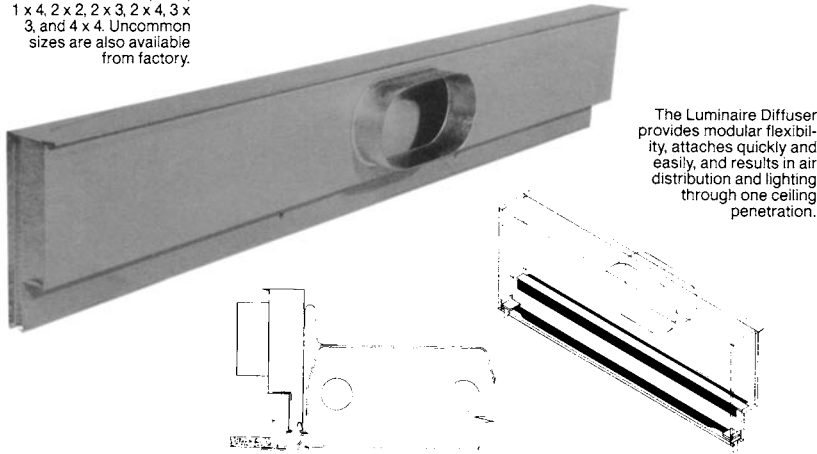


AG Series Luminaire Diffusers



Air Guide Single Side Luminaire Diffusers are compatible with most light troffers in sizes 1 x 2, 1 x 3, 1 x 4, 2 x 2, 2 x 3, 2 x 4, 3 x 3, and 4 x 4. Uncommon sizes are also available from factory.

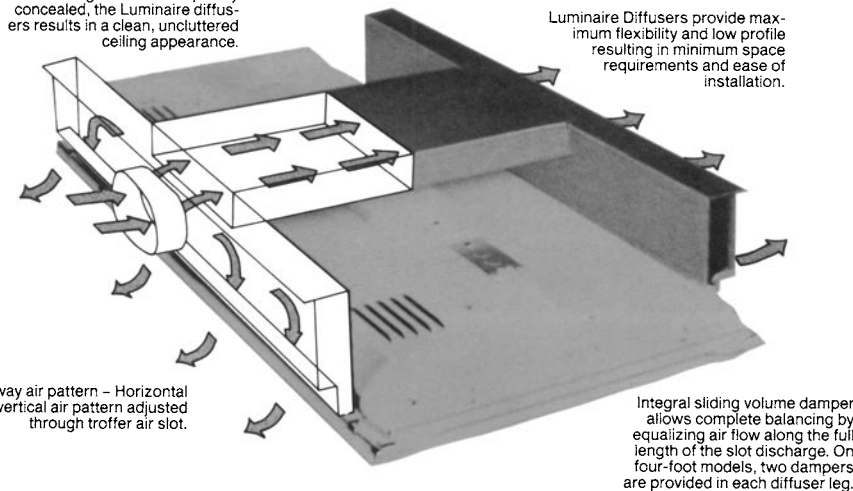


The Luminaire Diffuser provides modular flexibility, attaches quickly and easily, and results in air distribution and lighting through one ceiling penetration.

Single Side Diffuser – Side entry

- Both the volume damper and the pattern controller (when required) are individually adjustable at the face of the diffuser without removing the Luminaire door frame.
- Pattern controller provides horizontal or vertical air discharge pattern and is adjusted with a common screwdriver. (Diffusers to be used on fixtures with built-in pattern control vanes do not require pattern controllers.)
- Hold-down tabs at diffuser ends are provided to align and lock diffuser to Luminaire air slot.
- Single side diffusers have side bracket for extra support.
- Standard 5" and 6" oval inlets fit fabric or metallic flex duct by hand-forming the tubing into an oval shape. Other inlet sizes available on request.
- Exposed slot area is painted with flat black paint.
- For surface and regressed slot troffers.
- Material: Galvanized Steel.
- Choice of uninsulated, internally insulated or externally insulated construction.

Air Guide Dual Side Diffusers are available to fit most standard air-handling troffers. Completely concealed, the Luminaire diffusers results in a clean, uncluttered ceiling appearance.



Luminaire Diffusers provide maximum flexibility and low profile resulting in minimum space requirements and ease of installation.

Two-way air pattern – Horizontal or vertical air pattern adjusted through troffer air slot.

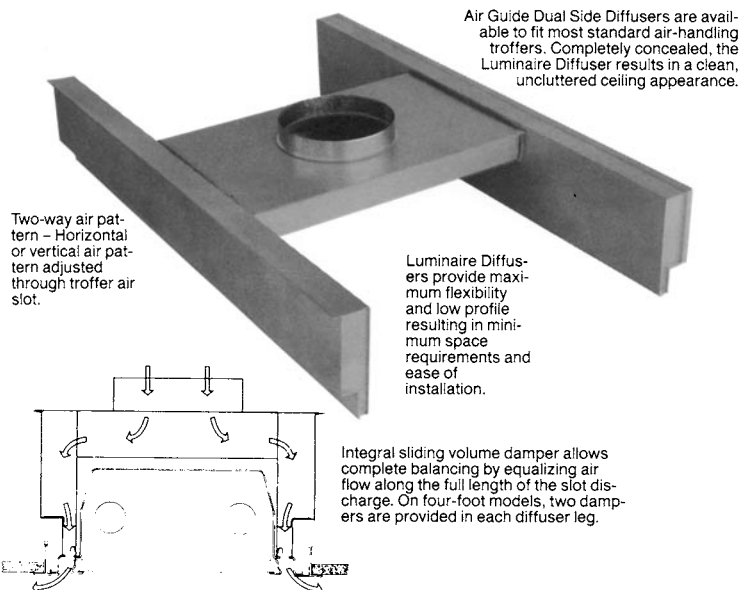
Integral sliding volume damper allows complete balancing by equalizing air flow along the full length of the slot discharge. On four-foot models, two dampers are provided in each diffuser leg.

Dual Side Diffuser – Side entry

- Hold-down tabs to align and lock diffuser to Luminaire air slot.
- Exposed slot area is painted with flat black paint.
- For surface and regressed slot troffers.
- Material: Galvanized steel.
- Choice of uninsulated, internally insulated, or externally insulated construction.
- Standard inlets: 5" and 6" oval. Other inlet sizes available on request.
- Can be used for either supply or return.

Dual Side Diffuser – Top entry

- Hold-down tabs to align and lock diffuser to Luminaire air slot.
- Exposed slot area is painted with flat black paint.
- For surface and regressed slot troffers.
- Material: Galvanized steel.
- Choice of uninsulated, internally insulated, or externally insulated construction.
- Standard inlets: 5" and 6" Other inlet sizes available on request.
- Can be used for either supply or return.



Air Guide Dual Side Diffusers are available to fit most standard air-handling troffers. Completely concealed, the Luminaire Diffuser results in a clean, uncluttered ceiling appearance.

Two-way air pattern – Horizontal or vertical air pattern adjusted through troffer air slot.

Luminaire Diffusers provide maximum flexibility and low profile resulting in minimum space requirements and ease of installation.

Integral sliding volume damper allows complete balancing by equalizing air flow along the full length of the slot discharge. On four-foot models, two dampers are provided in each diffuser leg.