

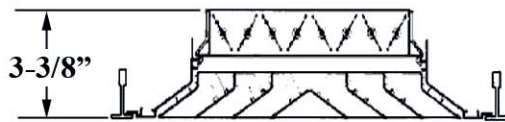
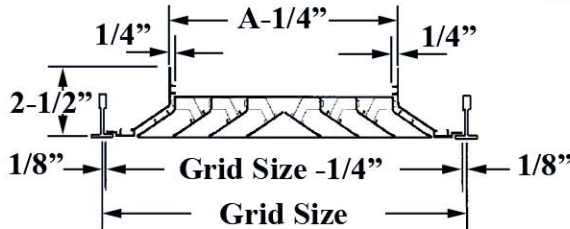
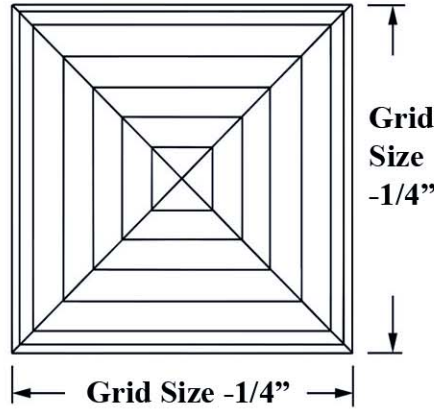
T-BAR DIFFUSERS

LAY-IN CEILING DIFFUSERS FOR T-BAR APPLICATIONS

MODELS: AVPT, AVPTOB, AVPR, AVPROB

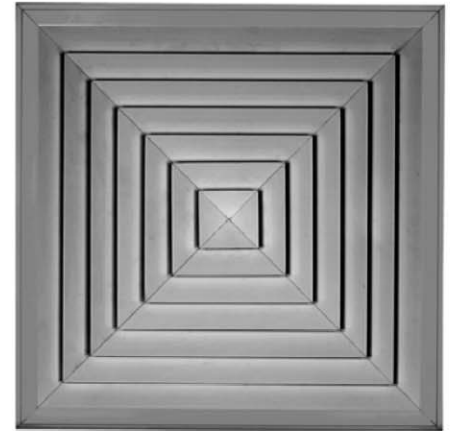
SUSTAINABLE EXTRUDED ALUMINUM

Dimensions are in inches (mm)



MODEL:

AVP-T



Grid sizes less 6" equals nominal duct size.

- AVPT
T-bar lay-in ceiling diffuser
- AVPTOB
T-bar lay-in ceiling diffuser with OB damper
- AVPR
T-bar lay-in regress ceiling diffuser
- AVPROB
T-bar lay-in regress ceiling diffuser with OB damper

DESCRIPTION:

1. Frame and blades are 6063 extruded aluminum alloy and 200-R1 satin anodized finish.
2. The special frame of this model is designed so that, when mounted directly on an inverted T-bar, the unit lies flush with the ceiling system.
3. The core of this model is fully removable for easy installation. When installed in a regressed ceiling, the diffuser drops 3/8" to install flush to the ceiling plane.
4. This model is designed to fit the following T-bar systems: 24"x24", 24"x36", 24"x48", 36"x36", and 48"x48".
5. An optional OB damper mounts through a series of spring clips and is lever-operated from the face of the unit.
6. Square and rectangular patterns are available.
7. Available in clear anodized, white or a variety of custom colors.

OPTIONS:

1. Finish
 - ANOD Clear Anodized
 - WHITE
 - MB Medium Bronze
 - B Black
 - Custom _____
2. Other
 - AVPT-OB-EG
 - AVPT-OB-SR

PROJECT:

ENGINEER:

CONTRACTOR:

DATE

SERIES

DRAWING NO.