



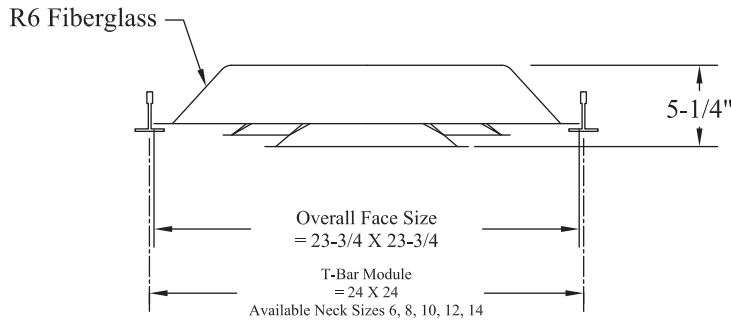
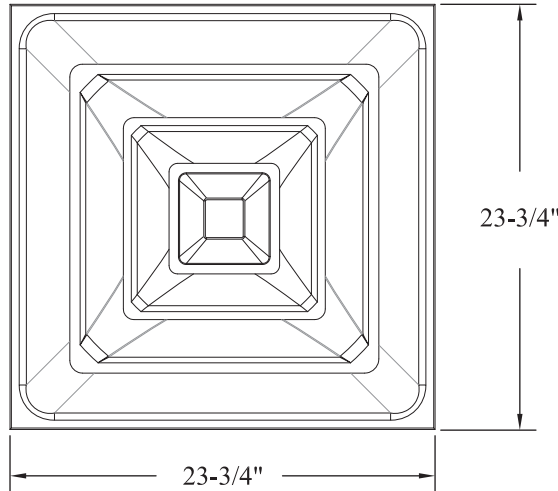
T- BAR DIFFUSERS

HIGH CAPACITY DIFFUSERS FOR T-BAR APPLICATIONS

MODELS: LCD-T-FGB

ALUMINIZED STEEL

Dimensions are in inches



LCD-T-FGB

High capacity diffuser for T-bar installation with fiberglass back.

DESCRIPTION:

1. The model LCD-T-FGB is a high capacity four cone diffuser for 24" x 24" T-bar installation. It is manufactured with aluminized steel to give the durability of aluminum with the strength of steel.
2. This model is available in 6", 8", 10", 12", and 14" diameters. It provides a horizontal 360 degree air pattern with exceptional performance in all CFM ranges including variable air volume systems.
3. A steel damper (model OBR) accessible through the face is available in all diameters.
4. Standard finish is white.

Options:

1. R6 Fiberglass Back (LCD-T-FGB)
2. Finish
 - White
 - ANOD (Clear Anodized)
 - Medium Bronze
 - Black
 - Custom _____
3. Other
 - LCD-T-FL
 - LCD-S

PROJECT:

ENGINEER:

CONTRACTOR:

DATE

SERIES

DRAWING NO.