

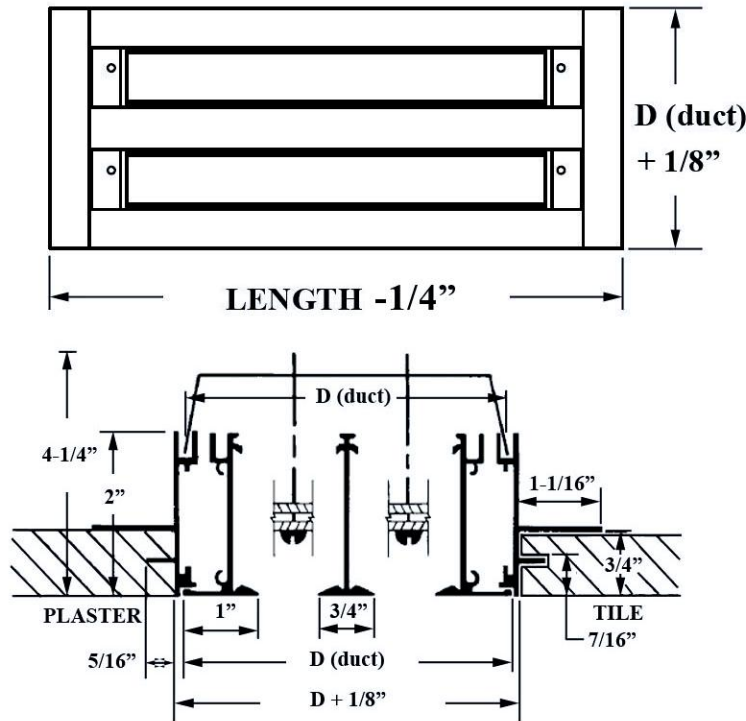
# AIR SLOT DIFFUSERS

Flush mount for tile or plaster.

**MODELS: ASD TYPE XVI**

SUSTAINABLE EXTRUDED ALUMINUM

Dimensions are in inches (mm)



Number of Slots	1	2	3	4	5
"D" Dimension 1/2"-3/4"	2 <sup>13</sup> / <sub>16</sub>	4 <sup>5</sup> / <sub>16</sub>	5 <sup>13</sup> / <sub>16</sub>	7 <sup>5</sup> / <sub>16</sub>	8 <sup>13</sup> / <sub>16</sub>
"D" Dimension 1"	3 <sup>1</sup> / <sub>16</sub>	4 <sup>13</sup> / <sub>16</sub>	6 <sup>9</sup> / <sub>16</sub>	8 <sup>5</sup> / <sub>16</sub>	10 <sup>1</sup> / <sub>16</sub>

Number of Slots	6	7	8	9	10
"D" Dimension 1/2"-3/4"	10 <sup>5</sup> / <sub>16</sub>	11 <sup>13</sup> / <sub>16</sub>	13 <sup>5</sup> / <sub>16</sub>	14 <sup>13</sup> / <sub>16</sub>	16 <sup>5</sup> / <sub>16</sub>
"D" Dimension 1"	11 <sup>13</sup> / <sub>16</sub>	13 <sup>9</sup> / <sub>16</sub>	15 <sup>5</sup> / <sub>16</sub>	17 <sup>1</sup> / <sub>16</sub>	18 <sup>13</sup> / <sub>16</sub>

The suffix "-wide" will add 1/8" to the flange width and 1/4" to the overall dimension.

### DESCRIPTION:

- Type XVI is flush mount for tile or plaster. For 1/2" slot, center T extrusion changes to 1"-outer flange changes to 1-1/8".

### MODEL:

## ASD TYPE XVI



### ASD TYPE XVI

Flush mount for tile or plaster.

### OPTIONS:

#### 1. Finish

- ANOD Clear Anodized
- WHITE
- Medium Bronze
- Black
- Custom \_\_\_\_\_

#### 2. Options

- 1/2" slot; 3/4" slot; 1" slot

PROJECT:

ENGINEER:

CONTRACTOR:

DATE

SERIES

DRAWING NO.