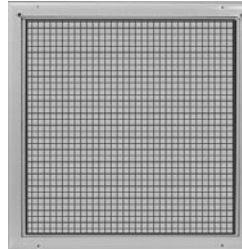
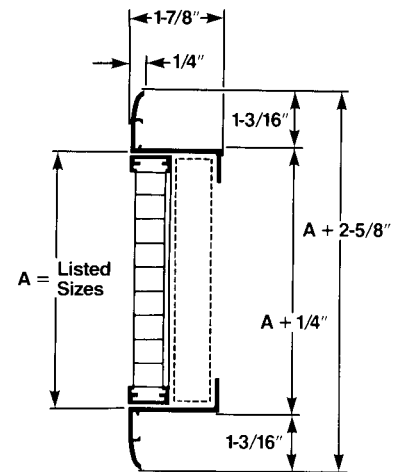
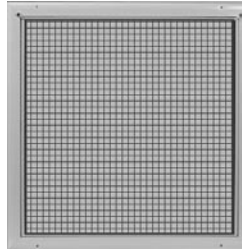


RF-2-P
3/16" ϕ holes at 1/4" on center
50% free area

RF-2-AG
1/2" x 1/2" x 1/2" Alum. Grid
90% free area



RF-2-PG
1/2" x 1/2" x 1/2" Plastic Grid
80% free area



Filter size for 24" x 24" T-bar unit is 20-7/8" x 20-7/8". 48" x 24" T-bar filter is 20-7/8" x 44-7/8". Wide flange unit designated as "-wide" to the model number allows for the use of a standard 20" x 20" filter.

Model available for narrow T-bar ceiling – must have suffix "-NT" added to model number.

product description

This model is assembled in a two-part system: one is the mounting frame that serves as a retainer for the filter ... the other is the core that provides easy access to the filter. The core swings in and out of the mounting frame by means of two concealed pivot pins, and is held in place by two injection-molded nylon locking devices permanently attached to the mounting frame and located at the two corners opposite the pin side.

Both mounting frame and core frame are 6063 extruded aluminum alloy with 200-R1 satin anodized finish, and have a wall thickness of .050". The installation holes in the mounting frame are dimpled, allowing for a counter-sunk fastener head appearance. These grilles are

available with three different cores:

Model RF-2-AG utilizes 1/2" x 1/2" x 1/2" woven mill-finish aluminum .015" thick.

Model RF-2-PG utilizes 1/2" x 1/2" x 1/2" molded white polystyrene .080" thick.

Model RF-2-P utilizes aluminum plate .032" thick with perforated holes 3/16" in diameter and 1/4" on center, painted with a white lacquer finish.

These grilles are available in duct size (listed size - 1/4") or standard filter size (listed size + 1/4").

Suitable for ceiling, sidewall and T-bar applications.

Available in clear anodized, white or a variety of custom colors.

Listed Sizes

dimension A		dimension B	
(ins)	(mm)	(ins)	(mm)
4	102	4	102
6	153	6	153
8	204	8	204
10	254	10	254
12	305	12	305
14	356	14	356
16	407	16	407
18	457	18	457
20	508	20	508
22	559	22	559
24	610	24	610
26	660	26	660
28	711	28	711
30	762	30	762
32	813	32	813
34	864	34	864
36	915	36	915
38	965	38	965
40	1006	40	1006
42	1067	42	1067
44	1117	44	1117
46	1168	46	1168
48	1219	48	1219

Sizes other than shown are available.

AIRGUIDE MANUFACTURING
795 WEST 20TH STREET
HIALEAH, FLORIDA 33010
PHONE: (305) 888-1631

available options	depth of unit	test data
<p>RF-2-AG, RF-2-PG, RF-2-P Return filter grille with aluminum grid, plastic grid or perforated aluminum core.</p>		TD-12
<p>RF-2-AG-OB, RF-2-PG-OB, RF-2-P-OB Return filter register with aluminum grid, plastic grid or perforated aluminum core with opposed blade damper.</p>	<p>*Additional 1/4" clearance required for damper adapter.</p>	TD-12
<p>RF-2-AG-OB-T, RF-2-PG-OB-T, RF-2-P-OB-T Return filter register with aluminum grid, plastic grid or perforated aluminum core with opposed blade damper for exposed T-bar mounting. (22" x 22" fits 24" x 24" grid, 22" x 46" fits 24" x 48" grid, etc.)</p>	<p>*Additional 1/4" clearance required for damper adapter.</p>	TD-12
<p>RF-2-AG-OB-PLT, RF-2-PG-OB-PLT, RF-2-P-OB-PLT Return filter register with aluminum grid, plastic grid, or perforated aluminum core with opposed blade damper for mounting in aluminum panel in exposed T-bar applications. (Maximum size is 4" less than grid dimension.)</p>		TD-12

NOTE: For filter depths other than 1", consult factory.

SPECIAL NOTE:

A fusible link may be added to any model with opposed blade damper by adding the suffix FL.