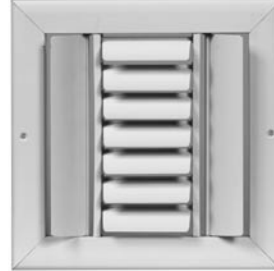
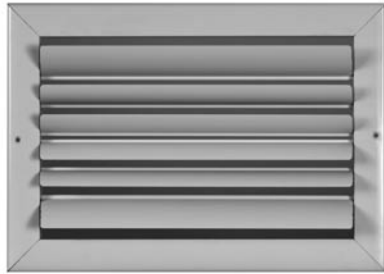


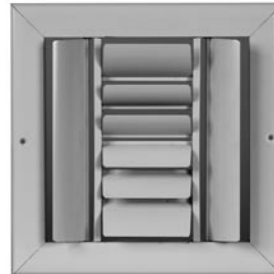
1-way
air pattern



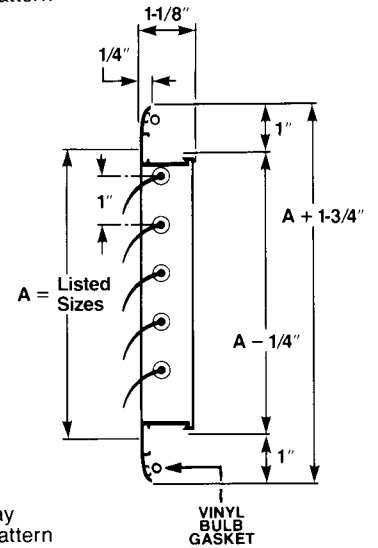
3-way
air pattern



2-way
air pattern
(2-way corner
air pattern
available)



4-way
air pattern



product description

Frame and blades are 6063 extruded aluminum alloy with 200-R1 satin anodized finish. The frame has a typical wall thickness of .050" and is separated from the blades with injection-molded nylon bushing... this method of assembly eliminates corrosion and vibration. The frame mounting holes are dimpled, allowing for a counter-sunk fastener head appearance.

The blades are curved in design, individually adjustable and spaced 1" on center. At the outer edge of the frame is

a specially engineered channel which retains an extruded flexible vinyl bulb gasket that produces a positive air seal at the mounting surface, minimizing smudging.

An optional opposed blade damper is screwdriver-operated through the face of the unit and has the same extruded aluminum construction and injection-molded nylon bushings.

Square and rectangular patterns are available.

Available in clear anodized, white or a variety of custom colors.

Also available with ME frame.

available options	depth of unit	test data
CB-1, CB-2, CB-3, CB-4 Curved blade diffuser with 1-way, 2-way, 3-way or 4-way air pattern.		TD 9-11
CB-OB-1, CB-OB-2, CB-OB-3, CB-OB-4 Curved blade diffuser with opposed blade damper with 1-way, 2-way, 3-way or 4-way air pattern.		TD 9-11
CB-OB-FL-1, CB-OB-FL-2, CB-OB-FL-3, CB-OB-FL-4 Curved blade diffuser with opposed blade damper and fire link with 1-way, 2-way, 3-way or 4-way air pattern. (Fire link only is UL-listed.)		TD 9-11
CB-OB-PF-1, CB-OB-PF-2, CB-OB-PF-3, CB-OB-PF-4 Curved blade diffuser with opposed blade damper and plaster frame with 1-way, 2-way, 3-way or 4-way air pattern.		TD 9-11
CB-OB-PLT-1, CB-OB-PLT-2, CB-OB-PLT-3, CB-OB-PLT-4 Curved blade diffuser with opposed blade damper mounted in aluminum panel to fit T-bar grid size with 1-way, 2-way, 3-way or 4-way air pattern.		TD 9-11

Listed Sizes

dimension A		dimension B	
(ins)	(mm)	(ins)	(mm)
4	102	4	102
6	153	6	153
8	204	8	204
10	254	10	254
12	305	12	305
14	356	14	356
16	407	16	407
18	457	18	457
20	508	20	508
22	559	22	559
24	610	24	610

Sizes other than shown are available.

AIRGUIDE MANUFACTURING
795 WEST 20TH STREET
HIALEAH, FLORIDA 33010
PHONE: (305) 888-1631